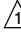
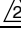
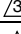
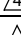
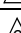


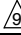
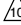

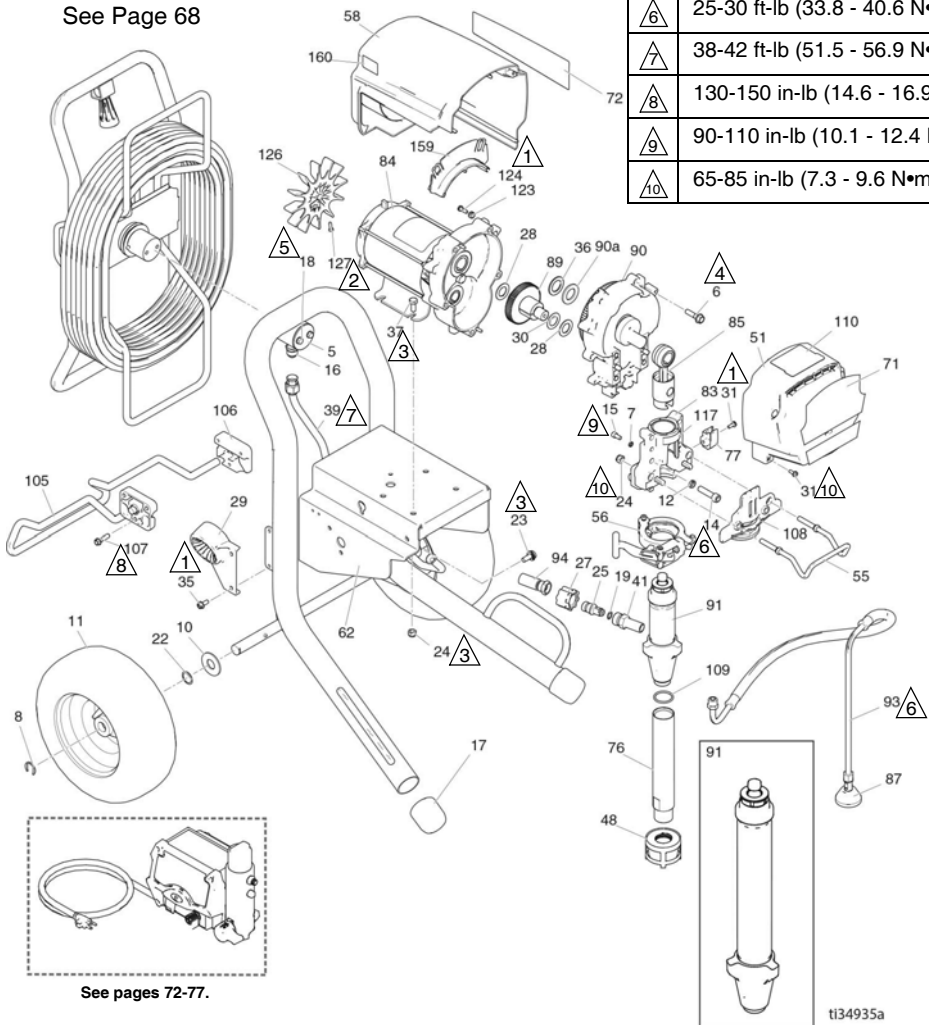


# Diagrams and Parts

## 695/795/Mark IV ProContractor Diagram

Ref.	Torque
	40-45 in-lb (4.5 - 5.0 N•m)
	9-11 in-lb (1.0 - 1.2 N•m)
	200-230 in-lb (22.6 - 25.9 N•m)
	190-210 in-lb (21.4 - 23.7 N•m)
	120-130 in-lb (13.5 - 14.6 N•m)
	25-30 ft-lb (33.8 - 40.6 N•m)
	38-42 ft-lb (51.5 - 56.9 N•m)
	130-150 in-lb (14.6 - 16.9 N•m)
	90-110 in-lb (10.1 - 12.4 N•m)
	65-85 in-lb (7.3 - 9.6 N•m)

See Page 68



## 695/795/Mark IV ProContractor Parts List

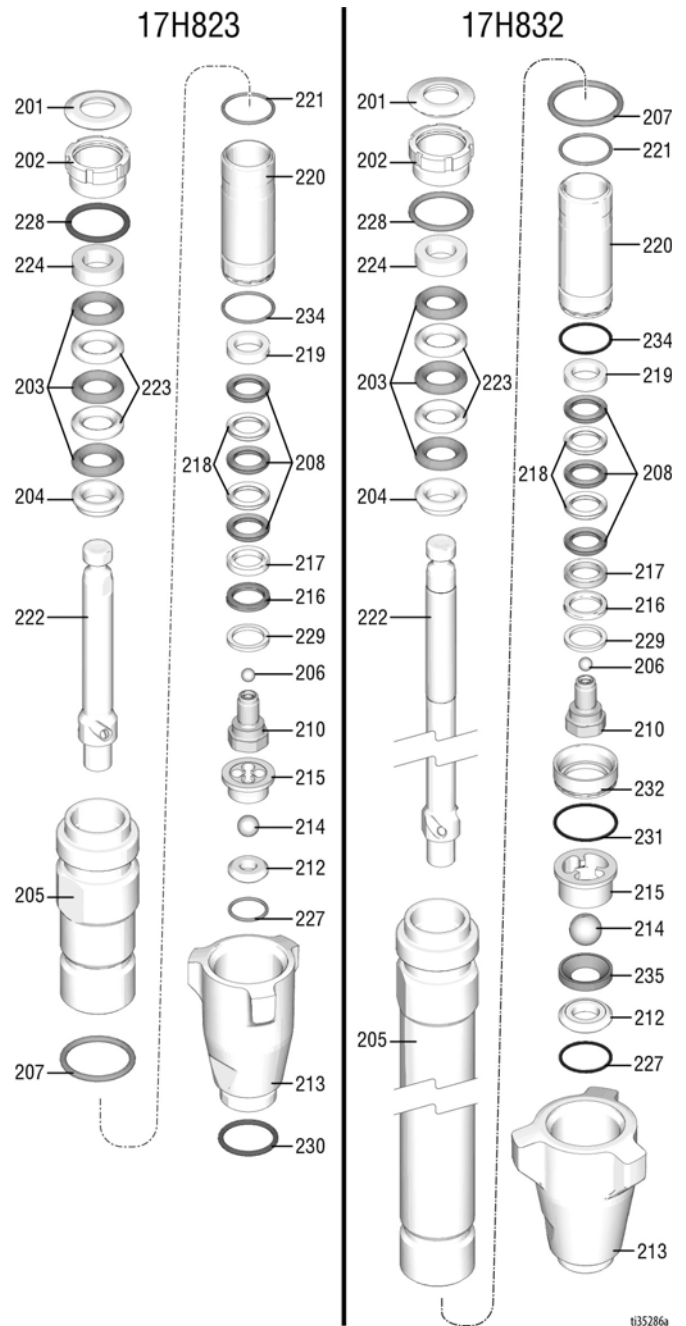
Ref.	Part	Description	Qty.	Ref.	Part	Description	Qty.
5	16C975	PLATE, pivot	1	84		MOTOR, electric	1
6	15C753	SCREW, mach, hex wash hd	5	257185	695, Mark IV 230V		
7	105510	WASHER, lock, spring	2	257186	795, Mark IV 120V		
8	15E891	CLIP, retaining	2	24V084	ROD, connecting		1
10	156306	WASHER, flat	2	241920	DEFLECTOR, threaded		1
11	119420	WHEEL, pneumatic	2	287289	GEAR, combination;		1
12	106115	WASHER, lock (hi-collar)	4	90	<i>includes 28, 30</i> HOUSING, drive, M1;		1
14	17E788	SCREW, cap, sch	4		<i>includes 6, 36, 90a</i>		
15	101550	SCREW, cap, sch	2	287283	695, Mark IV 230V		
16	121311	FITTING, connector	1	287284	795, Mark IV 120V		
17	276974	CAP, leg	2	90a	107089	WASHER, race, thrust	1
18	260212	SCREW, hex washer hd	2	91	17H823	PUMP, displacement,	1
19		PACKING, o-ring	1		695/795; <i>includes 41, 109</i>		
	107505	695/795		17H832	PUMP, displacement,		
	102982	Mark IV			Mark IV		
22	116038	WASHER, wave spring	2	93	244240	HOSE, drain, ultra hi-boy;	1
23	117791	SCREW, cap tri lobe	2		<i>includes 87</i>		
24	111040	NUT, lock, nylon, thin pat- tern	6	94	HOSE, coupled 3/8 x 15.75		1
25	16X833	FITTING, QD, 695/795	1		16X904	695/795	
27	120583	NUT, hand, 695/795	1		24V029	Mark IV; <i>includes 19</i>	
28	114672	WASHER, thrust	2	105	16X697	HANGER, stand	1
29	278083	GUIDE, Hose, platinum	1	106	15C982	CAM, cart	2
30	114699	WASHER, thrust	1	107	114531	SCREW, mach, hex	4
31	118444	SCREW, mach, slot hex wash hd	5	108	16X228	PLATE, front, 3900 PC11	1
35	117633	SCREW, slot hex wash hd	2	109	118494	PACKING, o-ring	1
36	116191	WASHER, thrust, 1095/795	1	110	17E925	LABEL, ProContractor Series	1
37	100057	SCREW, cap, hex hd	4	117	187437	LABEL, torque	1
39	24V095	TUBE, formed, ultra, plati- num	1	123	276980	GROMMET, cover	2
41		FITTING	1	124	119250	SCREW, shoulder	2
	16Y579	695/795		126	15D088	FAN, motor	1
	16X834	Mark IV		127	115477	SCREW, mach, torx pan hd	1
48	15V573	STRAINER, (1-11 1/2 npsm)	1	128▲	TAG, WARNING (not shown)		1
51	24V023	COVER, drive, plastic, painted; <i>includes 31</i>	1	222385	English, French, Spanish		
55	16C457	HANGER, pail	1	17A134	English, Chinese, Korean		
56	16X322	CLAMP, pump	1	17R476	English, Spanish, Portuguese		
58		SHIELD, motor, painted; <i>includes 123, 124</i>	1	159	278075	BRACKET, wire	1
	287281	695, Mark IV 230V		160	15Y118	LABEL, Made in the USA	1
	287282	795, Mark IV 120V					
62	24Y427	FRAME, platinum, 695/795	1				
71		LABEL, brand, front	1				
	17E728	695 Ultra					
	17E730	795 Ultra					
	17E736	695 Ultimate					
	17E738	795 Ultimate					
72	17E745	Mark IV TexSpray LABEL, brand, side	1				
	17E729	695 Ultra					
	17E731	795 Ultra					
	17E744	Mark IV TexSpray					
	17E737	695 Ultimate					
	17E739	795 Ultimate					
76	248214	TUBE, intake; <i>includes 109</i>	1				
77	16X203	CLIP, drain line	1				
83	24V087	HOUSING, bearing; <i>includes 7, 12, 14, 15, 24, 31, 55, 56, 77, 108, 117</i>	1				

▲ Replacement safety labels, tags, and cards are available at no cost.

# Parts - Pump 17H823, 17H832

Parts - Pump 17H823, 17H832

Ref.	Part	Description	Qty
201*†	179810	SEAL, throat	1
202	193046	NUT, packing	1
203*†	192692	V-PACKING, throat, V-Max, UHMWPE, blue	3
204*†	15C987	GLAND, male, throat	1
205	17H865	Model 17H823	1
	17H870	Model 17H832	1
206		BALL, check	1
	105444*	Model 17H823 (Stainless steel)	1
	17R145†	Model 17H832 (Ceramic)	1
207*†	156593	PACKING, o-ring	1
208*†	18A049	V-PACKING, piston, V-MAX, UHMWPE, blue	3
210	287877	VALVE, piston	1
212		KIT, seat, carbide	1
	239922	Model 17H823 includes 214, 215, 227	
	244571	Model 17H832 includes 214, 227	
213		VALVE, intake (foot)	1
	15C785	Model 17H823	
	287878	Model 17H832	
214		BALL, check, inlet	1
	105445*	Model 17H823 (Stainless steel)	
	17Y533†	Model 17H832 (Ceramic)	
215		GUIDE, ball	1
	192624	Model 17H823	
	17Y280	Model 17H832	
216*†	118503	WIPER, piston	1
217*†	178969	GLAND, female, piston	1
218*†	18A011	V-PACKING, brown, piston	2
219*†	196880	GLAND, male, piston	1
220	17H864	SLEEVE, cylinder	1
221*†	108526	O-RING, ptfе	1
222		ROD, piston	1
	17H876	Model 17H823	
	17H881	Model 17H832	
223*†	178940	V-PACKING, leather, throat	2
224*†	15C988	GLAND, female, throat	1
227		O-RING, ptfе	1
	107079*	Model 17H823	
	108526†	Model 17H832	
228*†	158776	O-RING	1
229*†	15C997	WASHER, backup	1
230*	118494	O-RING, fluoroelastomer (Model 17H823)	1
231†	17E792	O-RING, FX90 (Model 17H832)	1
232	15G494	SPACER, sleeve (Model 17H832)	1
234*†	17V093	O-RING, FX90	1
235	17Y287	SEAL, ball guide, Mark IV, Mark V (Model 17H832)	1



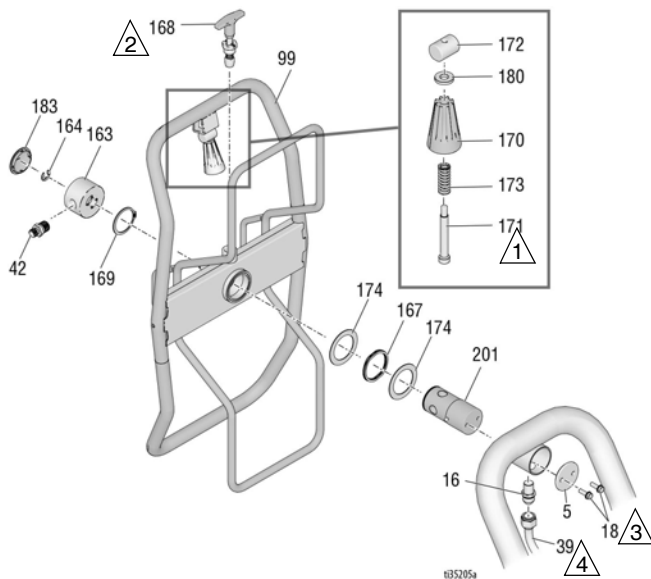
\* These parts are also included in Repair Kit 17H841, which may be purchased separately.

† These parts are also included in Repair Kit 17H849, which may be purchased separately.

# Diagrams and Parts

## QuikReel

Ref.	Torque
△1	130-150 in-lb (14.6 - 16.9 N•m)
△2	25-35 ft-lb (33.8 - 47.4 N•m)
△3	120-130 in-lb (13.5 - 14.6 N•m)
△4	38-42 ft-lb (51.5 - 56.9 N•m)

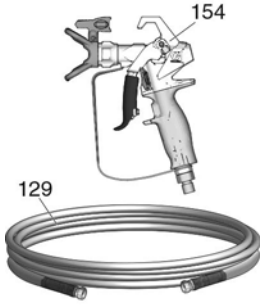


## QuikReel Parts List

Ref. Part	Description	Qty.	Ref. Part	Description	Qty.
5	16C975 PLATE, Pivot Mount	1	163	24B248 CAP, swivel, complete	1
16	121311 FITTING, Connector, NPT x JIC	1	164	122347 RING, retaining, external	1
18	260212 SCREW, Hex Washer HD	2	167	122534 SPRING, wave	1
39	24V095 695/795 Models 24J081 1095/Mark V Models 16M441 Mark X	1	168	24E400 PIN, pop, lock out	1
42	16M441 Mark X ADAPTER	1	169	122524 RING, retaining, external	1
99	164672 695/795/1095/1595 196178 Mark IV/Mark V 159239 Mark VII/Mark X 24B691 REEL, Hose, ultra	1	170	278085 HANDLE, swivel	1
			171	122518 PIN	1
			172	15X618 NUT, pin	1
			173	122542 SPRING	1
			174	122607 WASHER, flat	2
			180	122669 WASHER	1
			183	122787 CAP	1
			201	24E016 TUBE, Hose Reel, Pivot	1

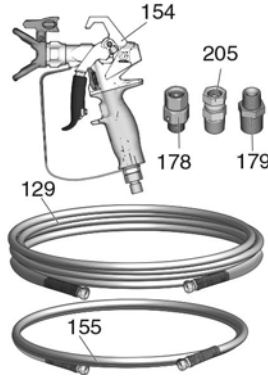
## Spray Gun and Hose

695-1595 Models

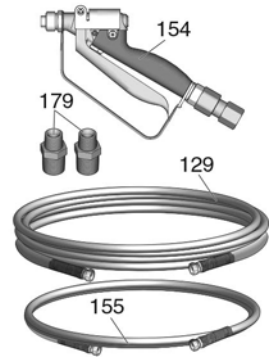


t134939b

Mark IV-Mark VII Models



Mark X Models

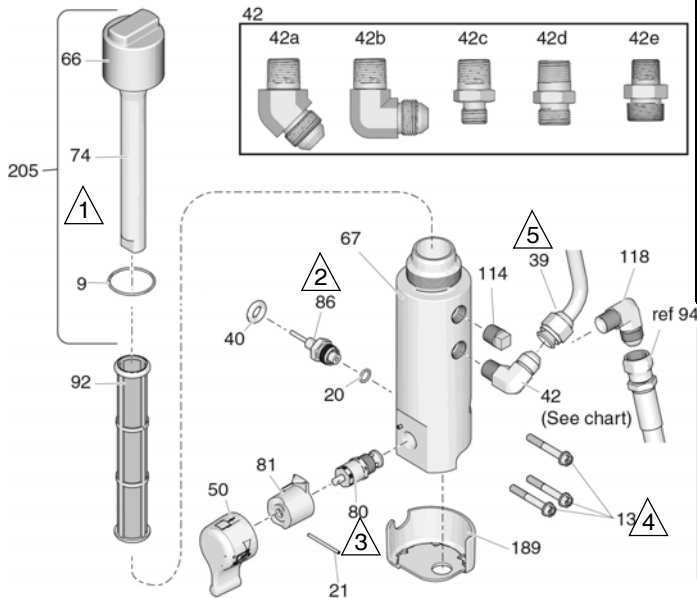


## Spray Gun and Hose Parts List

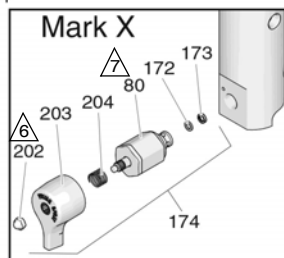
Ref. Part	Description	Qty.
129	HOSE, coupled	
240794	Ultra, 1/4" x 50'	1
826079	Ultimate, 1/4" x 50'	1
245225	Mark IV/Mark V, 3/8" x 50'	1
278499	Mark VII/Mark X, 1/2" x 50'	1
154	SPRAY GUN	
17Y042	Ultra, North America	1
17Y044	Ultra, Asia	
17Y043	Ultra, Europe	
826252	695/795/1095/1595 Ultimate	1
241705	Mark V/Mark VII	1
246468	Mark IV	1
245820	Mark X	1
155	HOSE, whip	
241735	Mark IV/Mark V, 1/4" x 3'	1
191239	Mark VII/Mark V, 3/8" x 11'	1
178	189018 SWIVEL	1
179	BUSHING	
110476	Mark IV/Mark V	1
159239	Mark VII	1
159239	Mark X	2
205	110476 ADAPTER (Mark VII only)	1

# Diagrams and Parts

## Filter



Ref.	Torque
①	90-110 in-lb (10.1 - 12.4 N•m)
②	35-45 ft-lb (47.4 - 61.0 N•m)
③	190-210 in-lb (21.4 - 23.7 N•m)
④	100-120 in-lb (11.2 - 13.5 N•m)
⑤	38-42 ft-lb (51.5 - 56.9 N•m)
⑥	15-25 in-lb (1.6 - 2.8 N•m)
⑦	365-385 in-lb (41.2 - 43.5 N•m)



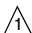

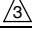
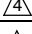
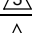
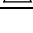
t22913d

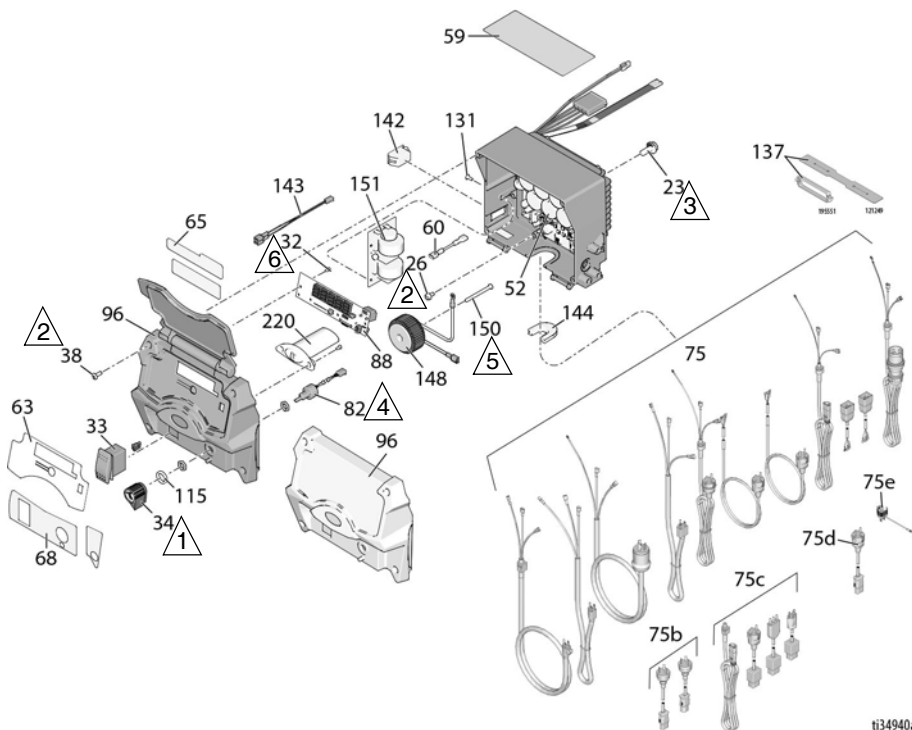
## Filter Parts List

Ref. Part	Description	Qty.	Ref. Part	Description	Qty.
9	117285 PACKING, o-ring	1	24A382	Standard series	
13	16U013 SCREW, cap, socket head	3	86	243222 TRANSDUCER, pressure control; includes 20	1
20	111457 PACKING, o-ring	1	92	244071 FILTER, fluid	1
21	15C972 PIN, grooved	1		244067 30 mesh	
39	24V095 TUBE, formed	1		244068 60 mesh, original equipment	
	24J081 695/795 Models			244069 100 mesh	
	24J081 1095/Mark V Models			244069 200 mesh	
40	121889 GROMMET, transducer	1	114	104813 PLUG, pipe, 3/8	1
42	FITTING		118	125926 FITTING, elbow	1
42a	122533 1095/1595/Mark V/Mark VII (ProContractor series)	1	172	193709 SEAT, valve	1
42b	125926 695/795/Mark IV/Mark X (ProContractor series)	1	173	193710 SEAL, seat, valve	1
42c	164672 695/795/1095/1595 (Standard and IronMan series)	1	174	245103 KIT, repair, valve, Mark X; includes 80, 172, 173, 202, 203, 204	1
42d	196178 Mark IV/Mark V (Standard and IronMan Series)	1	189	17A197 GUARD, base, filter (ProContractor/IronMan Series)	1
42e	183285 Mark VII/Mark X (Standard and IronMan Series)	1	202	116424 NUT, Mark X	1
50	24E234 Standard Series		203	15G563 HANDLE, valve, Mark X	1
66	17E680 CAP, filter	1	204	114708 SPRING, compression, Mark X	1
67	16T543 BASE, filter	1	205	287285 KIT, repair, cap, filter includes 9, 66, 74	1
74	15C766 TUBE, diffusion	1	206	115523 GAUGE, pressure (not shown)	1
80	24B156 VALVE, prime, HD	1	207	FITTING, tee swivel (not shown)	
81	287879 VALVE, prime, Mark X	1		119783 695/795/1095/1595	1
				127518 Mark IV, Mark V, Mark VII, Mark X	1
			208	FITTING (not shown)	
				162453 695/795/1095/1595	1
				196178 Mark IV, Mark V	1
				183285 Mark VII, Mark X	1

# Diagrams and Parts

## Control Box Diagram

Ref.	Torque
 1	10-15 in-lb (1.1 - 1.7 N•m)
 2	40-45 in-lb (4.5 - 5.0 N•m)
 3	200-230 in-lb (22.6 - 25.9 N•m)
 4	30-35 in-lb (3.3 - 3.9 N•m)
 5	15-20 in-lb (1.7 - 2.2 N•m)
 6	2-3 in-lb (0.2 - 0.4 N•m)



ti34940a

## Control Box Parts List

Ref. Part	Description	Qty.	Ref. Part	Description	Qty.
23	117791 SCREW, cap, flange head	2	82	256219 POTENTIOMETER, assembly	1
26	114391 SCREW, grounding	1	88	16Y496 DISPLAY	1
32	115522 SCREW, mach, pnh (ProContractor/IronMan series)	3	96	17H886 COVER, control With Display; includes 32, 38, 63, 65, 68, 88, 196	1
33	116752 SWITCH, rocker, ON/OFF	1	17H887	Without Display; includes 38, 63, 68, 196	1
	15D527 SWITCH, rocker, Mark X	1	115	15C973 GASKET	1
34	116167 KNOB, potentiometer	1	131	16T482 RIVET, snap	2
38	16V095 SCREW, #10, taptite phil	4	137	195551 RETAINER, plug adapter 695/795/1095/Mark IV/Mark V	1
52	CONTROL, board includes 23, 26, 60, 131, 142, 144	1	121249	Mark VII/Mark X Models SWITCH/PLUG	1
	25N545 120V Models		142	16T483 695/795/1095/Mark IV/Mark X, North America (plug)	1
	25N546 240V Models		126029	Mark VII/Mark X Models (10/16 amp)	1
59▲	LABEL, warning	1	120059	195/Mark V 120V (15/20 amp)	1
	16T784 North America	1	143	15G935 CONNECTOR, electrical (1595/Mark V)	1
	15G596 Europe	1	144	16T546 695/795/1095/Mark IV/Mark V International Models	1
	16Y762 Asia/ANZ	1	16T547	695/795/1095/Mark V, Domestic Models	1
	16Y761 Japan	1	16T547	695/795/1095, Japanese Models	1
60	16T541 JUMPER WIRE	1	16T544	Mark VII/Mark X International Models	1
63	17E725 LABEL, control box cover, ultra (with display)	1	116171	1595/Mark V/Mark X, North American Models	1
	17E726 LABEL, control box cover, ultra (without display)	1	116171	Mark V Japanese Models	1
65	17E724 LABEL, lid, Ultra (with display)	1	145	117745 BUSHING, strain relief (Mark VII/Mark X, International Models)	1
68	17E723 LABEL, control	1	148	24V030 KIT, repair, coil; includes 150	1
	16Y786 LABEL, control (Standard series)	1	150	16U215 SCREW, machine, flat head	1
75	CORD, power		151	BOARD, filter	1
	17E804 120V Models, 695, 795, 1095, Mark IV	1	25N516	230V International Models	1
	17E804 Japanese Models 695, 795, 1095	1	25N517	110V International Models	1
	17E805 120V Models, 1595, Mark V	1	25N518	Mark X International Models	1
	17E805 Japanese Models, Mark V	1			
	17E806 Mark X NEMA L6-30	1			
	17E807 120V CSA Models, 1595, Mark V	1			
	17E808 EU CEE 7/7	1			
	17E809 Mark VII EU CEE 7/7	1			
	17E810 Mark X EU CEE 7/7	1			
	17E811 EU Multicord	1			
	17E812 Mark VII Multicord	1			
	17E813 Mark X Multicord	1			
	17E814 UK	1			
75b	China/Australia				
	242005 695/795/1095/Mark IV/Mark V	1			
	17A242 Mark X	1			
75c	Italy/Denmark/Switzerland				
	287121 695/795/1095/Mark IV/Mark V	1			
	253103 Mark VII/Mark X Models	1			
75d	242001 EU CEE 7/7	1			
75e	244285 Japan	1			

▲ Replacement safety labels, tags, and cards are available at no cost.



## 695-1095/Mark IV-VII 110V/230V Models

